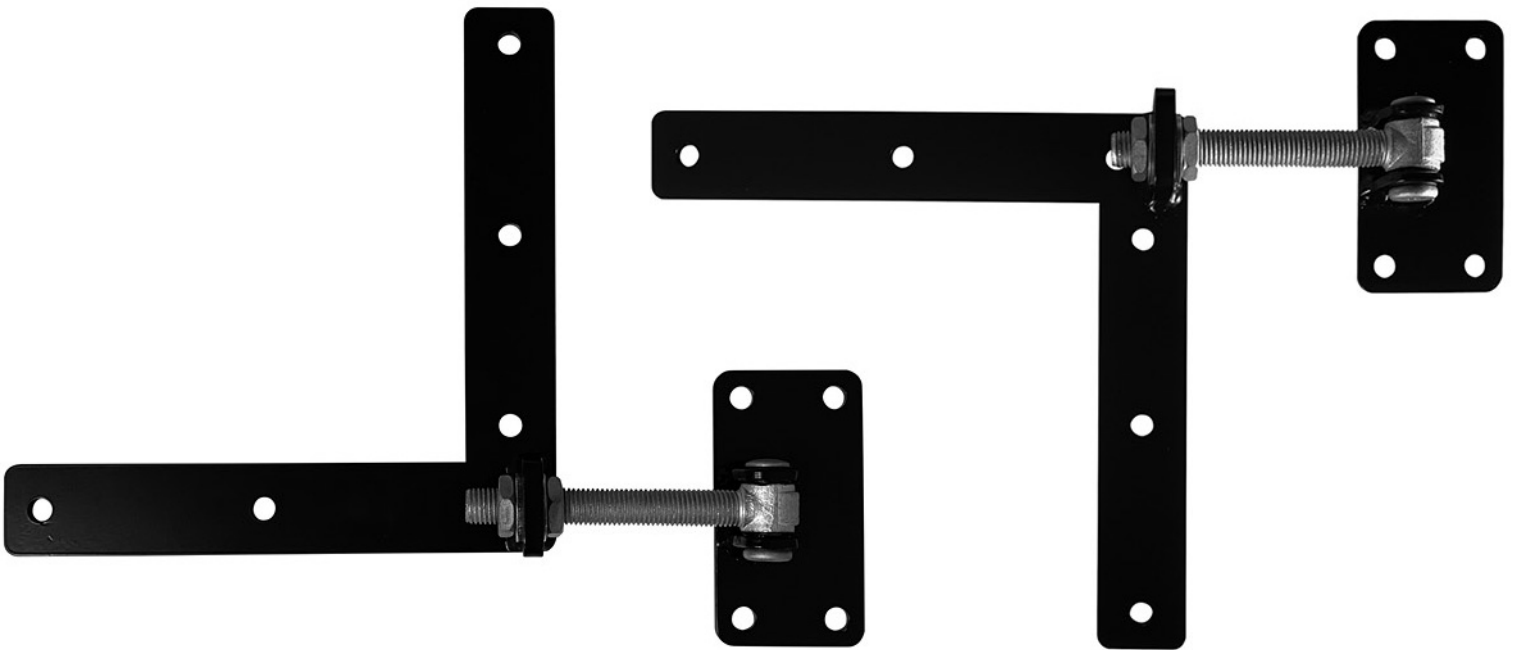




COMUNELLO

GATE DIVISION



**SPECIAL HINGES
FOR WOODEN GATES**

MADE IN ITALY

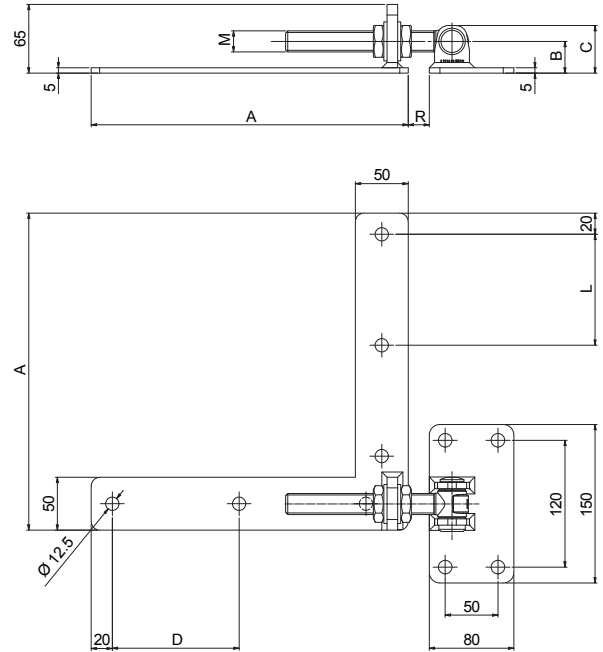
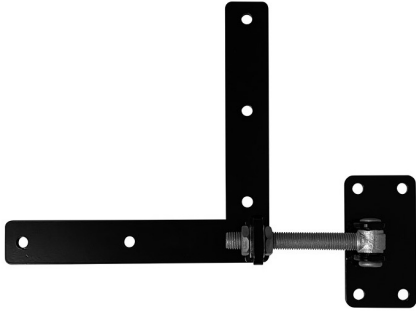
Life
made
easy

Special Hinges for wooden gates

130-WH-DX

"L" shaped hinge for wooden gates dx

Hs700
COVER SYSTEM



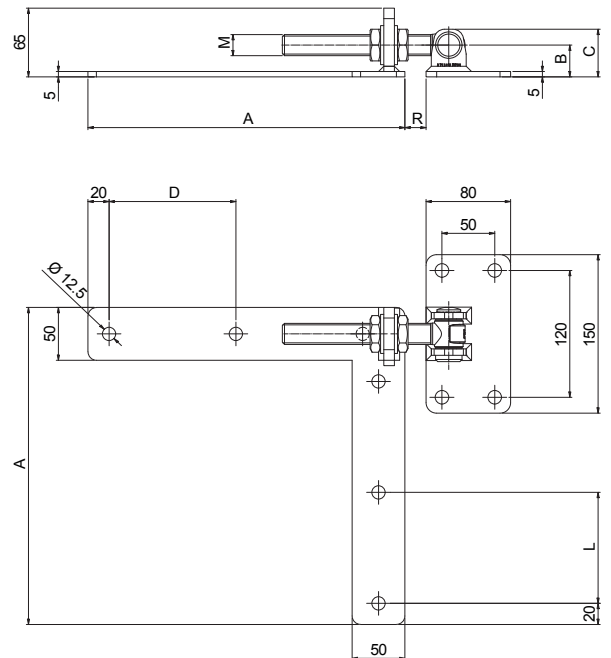
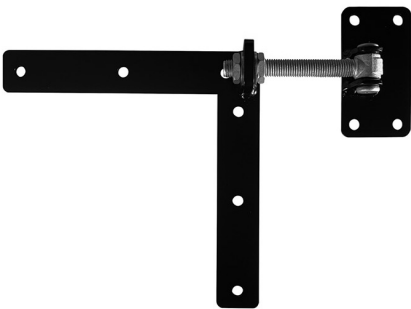
code			A	B	C	D	L	M	R	Capacity		
10819616 046	130-WH-M20DX	HS 700 + powder coating	300	30	45	120	105	M20	20-90	150 Kg	4,9 Kg	2
10819621 046	130-WH-M24DX	HS 700 + powder coating	600	32	52	135	125	M24	20-90	225 Kg	8 Kg	2

Equally distributed weight 

130-WH-SX

"L" shaped hinge for wooden gates sx

Hs700
COVER SYSTEM



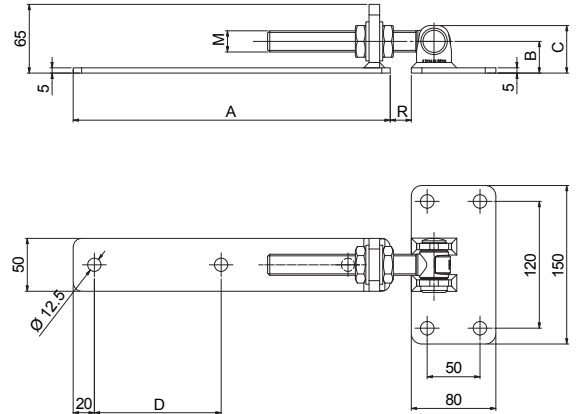
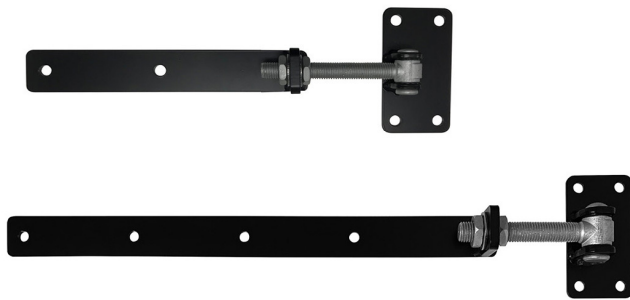
code			A	B	C	D	L	M	R	Capacity		
10819617 046	130-WH-M20SX	HS 700 + powder coating	300	30	45	120	105	M20	20-90	150 Kg	4,9 Kg	2
10819622 046	130-WH-M24SX	HS 700 + powder coating	600	32	52	135	125	M24	20-90	225 Kg	8 Kg	2

Equally distributed weight 

130-WH

Hinge for wooden gates

Hs700
COVER SYSTEM



code			A	B	C	D	M	R	Capacity		
10819615 046	130-WH-M20	HS 700 + powder coating	300	30	45	120	M20	20-90	150 Kg	8 Kg	4
10819620 046	130-WH-M24	HS 700 + powder coating	600	32	52	135	M24	20-90	225 Kg	12 Kg	4

Equally distributed weight



Hs700
COVER SYSTEM

Cover System HS-700

applied to protect metallic parts from corrosion.

- Water-based chemistry
- Chrome free
- High corrosion resistance

Salt Spray Test
(ISO 9227/ASTM B117)

> 240 hours without white rust

> 720 hours without red rust

Life
made
easy



FRATELLI COMUNELLO S.P.A.

GATE DIVISION

Via Cassola, 64 - C.P. 79

36027 Rosà, Vicenza, Italy

Tel. +39 0424 585111 Fax +39 0424 533417

info@comunello.it

comunello.com